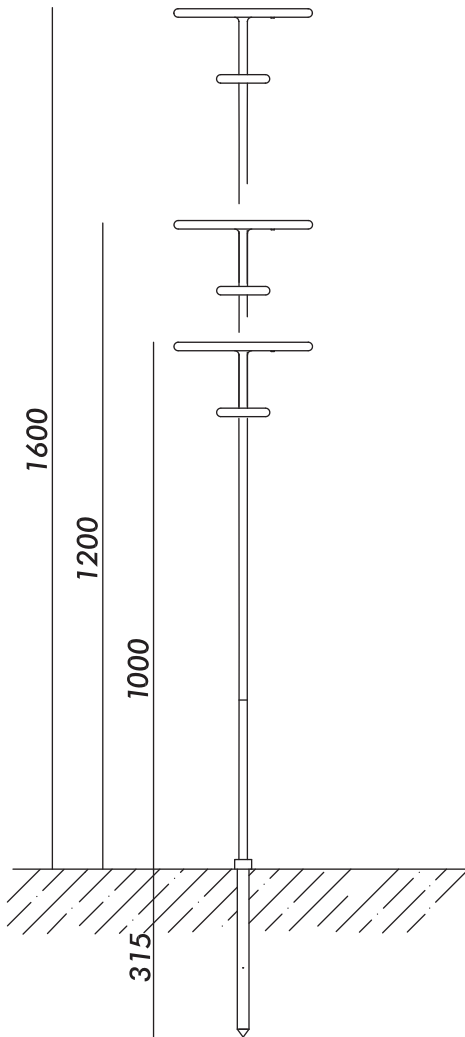
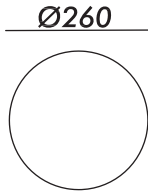




**PLANET B**



LED solar lamp  
 Daylight sensor:  
 - activate at < 50 lux  
 - turn off at > 50 lux  
 IP65

Materials:  
 - die-casting aluminium, extruded aluminium  
 - thermosetting epoxy polyester powder coating  
 - stainless steel screws  
 - clear polycarbonate diffuser  
 Salt spray corrosion test: 800h

Charging time: 6-8h  
 Working time: 23-25h  
 Power: 3.2W  
 Lithium Battery: 3600 mAh (replaceable)  
 Battery level indicator  
 Solar panel:  
 - 4.5W monocrystalline  
 - tempered glass  
 LED: Lumileds 4014  
 Light colour temperature: 3000K  
 CRI>80

Inner box size: 63 x 30 x 12.5 cm  
 Master: 2 pieces  
 Master size: 64.5 x 31.5 x 27 cm  
 Net weight: 4.5 kg  
 Gross weight: 7.4 kg

