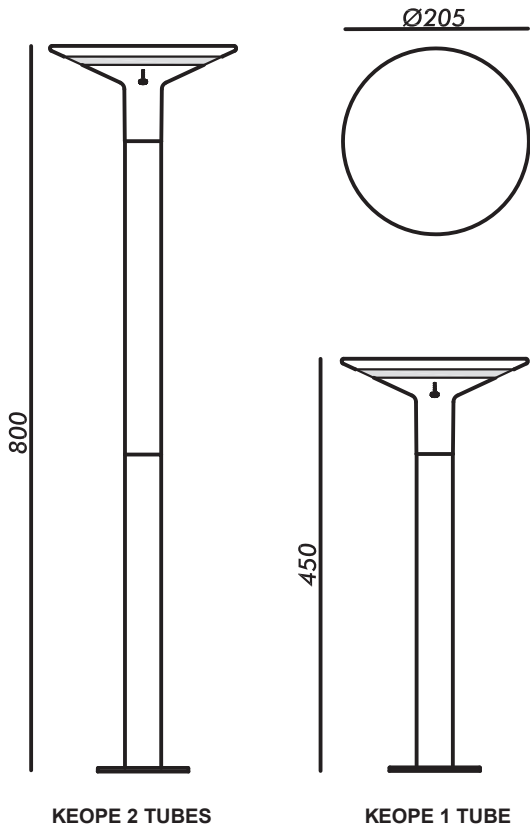




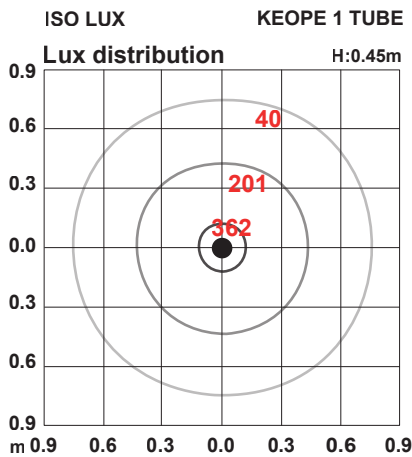
**KEOPE GROUND**



LED solar lamp  
 Daylight sensor:  
 - activate at < 50 lux  
 - turn off at > 50 lux  
 IP65

Materials:  
 - die-casting aluminium, extruded aluminium  
 - thermosetting epoxy polyester powder coating  
 - stainless steel screws  
 - clear polycarbonate diffuser  
 Salt spray corrosion test: 800h

Charging time: 10-12h  
 Working time: 23-25h  
 Power: 3W  
 Lithium Battery: 2\*2200 mAh (replaceable)  
 Battery level indicator  
 Solar panel:  
 - 3.5W monocrystalline  
 - tempered glass  
 LED: Lumileds 4014  
 Light colour temperature: 3000K  
 CRI>80



Inner box size: 39.5 x 25.5 x 16 cm  
 Master: 4 pieces  
 Master size: 52.5 x 41 x 33.5 cm  
 Net weight: 6.4 kg  
 Gross weight: 9 kg

