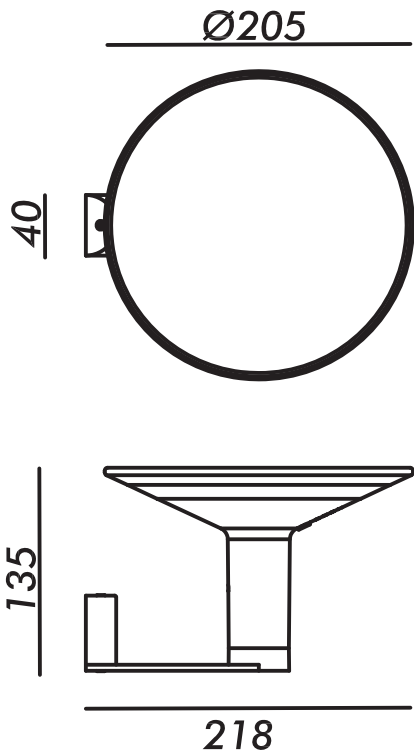







KEOPE WALL



LED solar lamp
 Daylight sensor:
 - activate at < 50 lux
 - turn off at > 50 lux
 IP65   

Materials:
 - die-casting aluminium, extruded aluminium
 - thermosetting epoxy polyester powder coating
 - stainless steel screws
 - clear polycarbonate diffuser
 Salt spray corrosion test: 800h

Charging time: 10-12h
 Working time: 23-25h
 Power: 3W
 Lithium Battery: 2*2200 mAh (replaceable)
 Battery level indicator
 Solar panel:
 - 3.5W monocrystalline
 - tempered glass
 LED: Lumileds 4014
 Light colour temperature: 3000K
 CRI>80

Inner box size: 25.5 x 25.5 x 16 cm
 Master: 6 pieces
 Master size: 52.5 x 50 x 27 cm
 Net weight: 6.6 kg
 Gross weight: 9.9 kg

